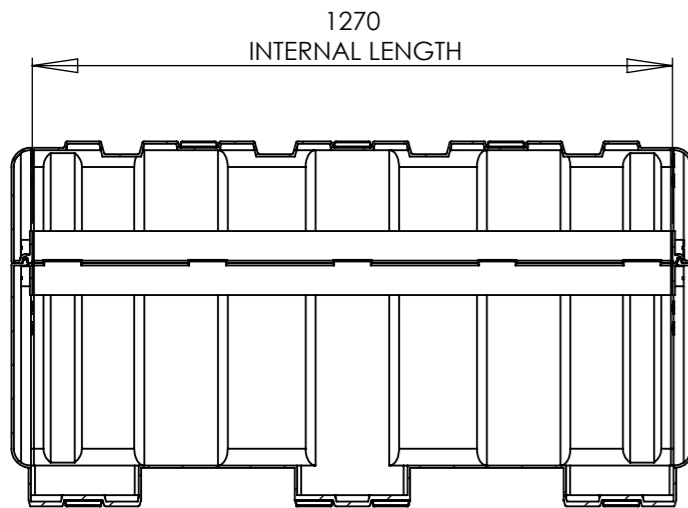
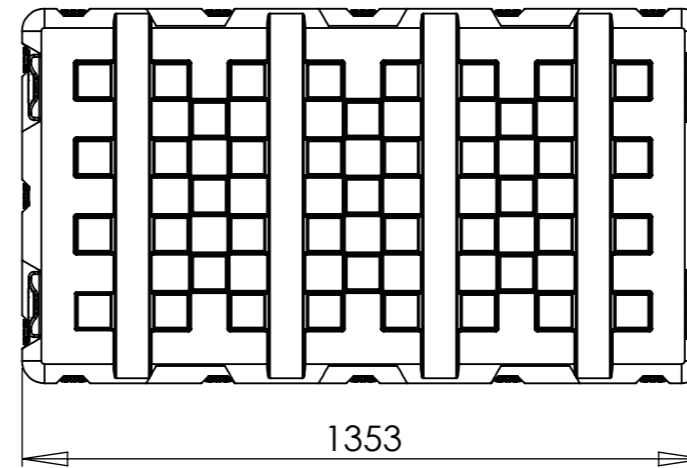
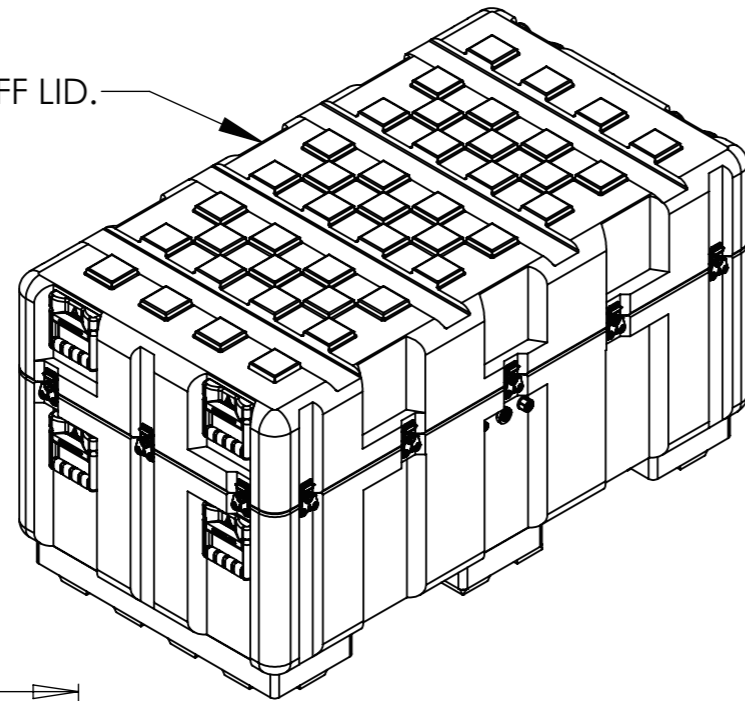
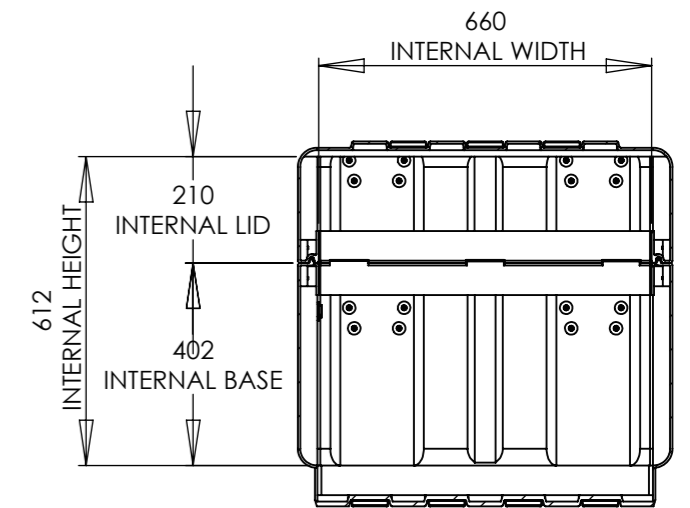
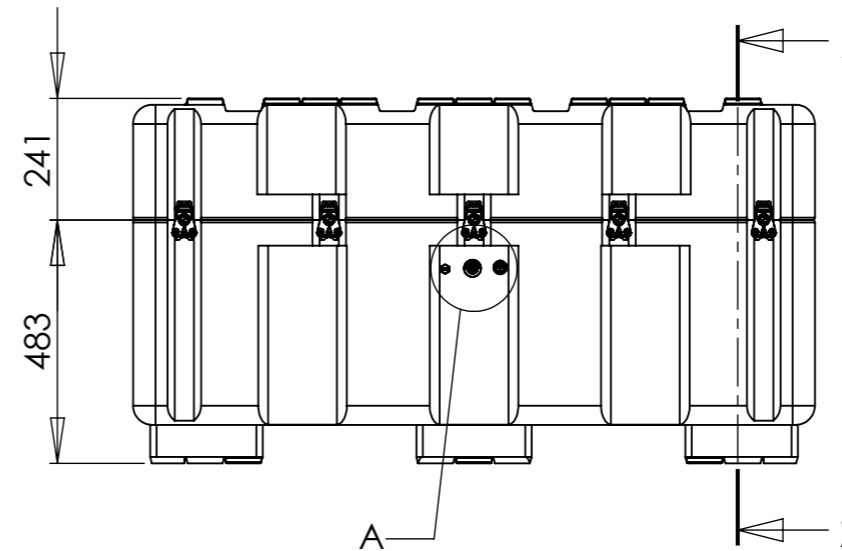
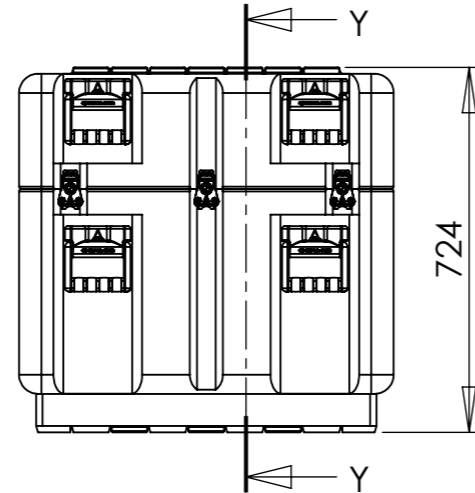


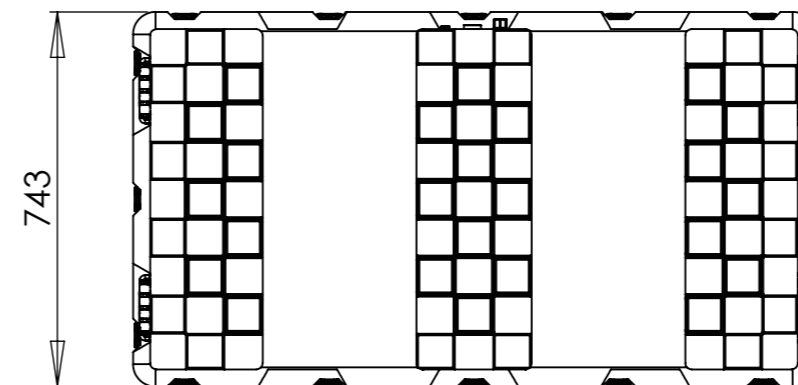
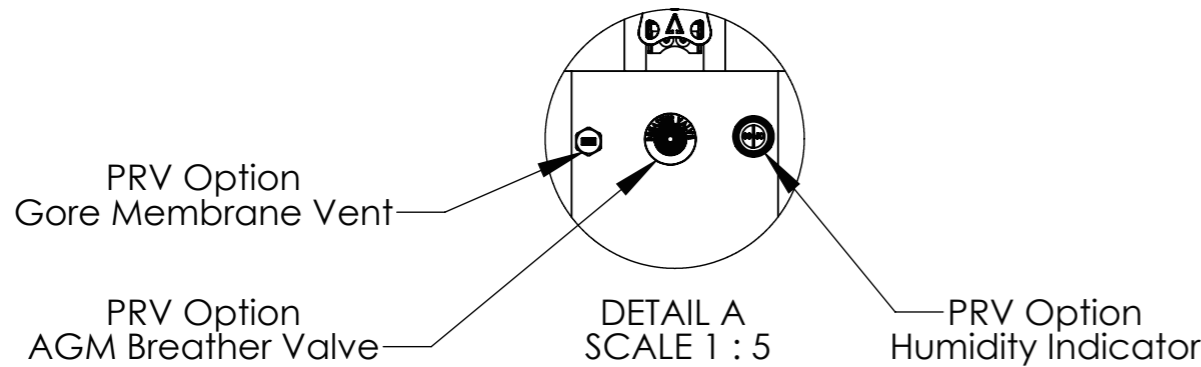
NOTE:
ALL CATCH LIFT OFF LID.



SECTION Y-Y
SCALE 1 : 15



SECTION Z-Z
SCALE 1 : 15



Options Available	Option Selected	Qty	Part #	Nato Stock No (NSN)		
Wheel Kit	N	00	AAW001	8145-99-348-1087		
AGM Breather Valve	Y	01	AAPRV	Moulding Tolerance +/- (1%+1mm)		
Gore Membrane Vent	Y	01	AAGTV	External Dimensions (mm)		
Humidity Indicator	Y	01	AAHI	Length	Width	Height
Tie Down Anchor	N	00	AATD001	1353	743	724
Padlockable Latch	N	00	AALPLBK	Internal Dimensions (mm)		
Latch	Y	16	AALBK	Length	Width	Height
Plastic Handles	Y	08	AAHPL	1270	660	612

Title		Drg. No.	
Titan Case AC1475-4825/AC/FL		AC1475-4825/AC/FL	
Drawn By	Date	Sheet No.	Issue No.
MW	12/08/2010	1 Of 1	01
Dimensions In Millimeters		Third Angle Projection	
Do Not Scale			

CP Cases Ltd.

Copyright CP Cases Limited.
This drawing is the property of CP Cases Limited & the information on it is confidential & it is not to be used for any other purpose without the prior written consent of CP Cases Limited.