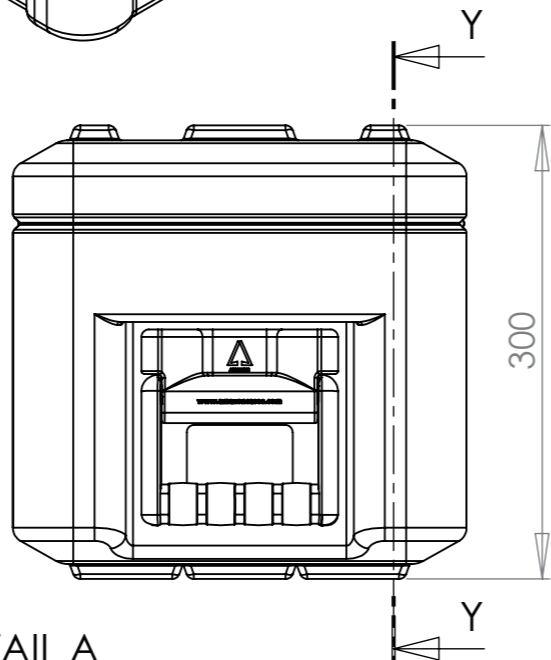
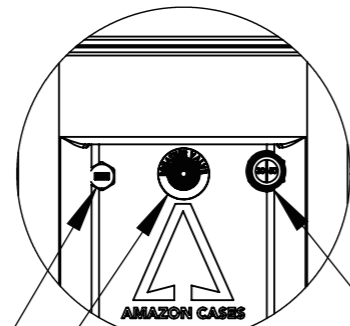


SECTION Y-Y



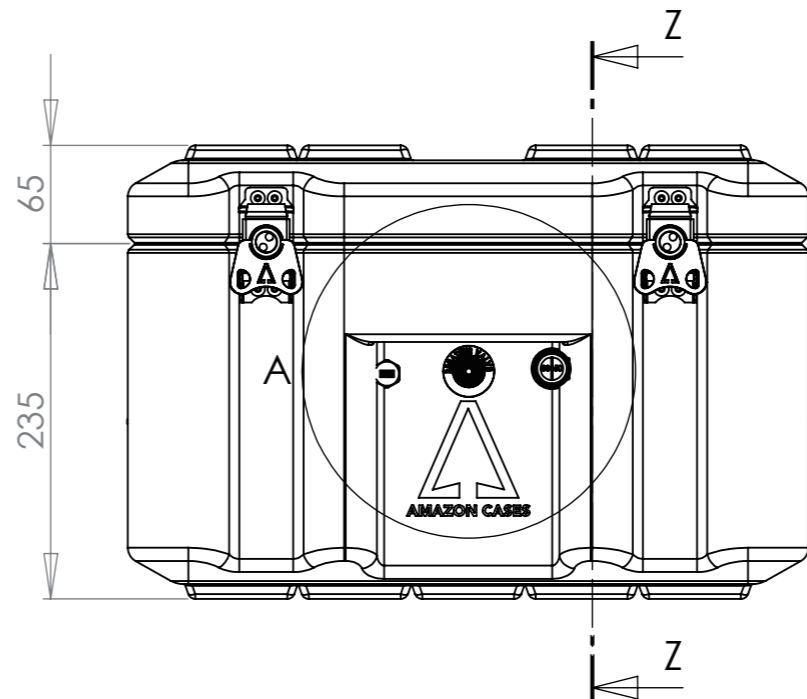
DETAIL A
SCALE 1:5



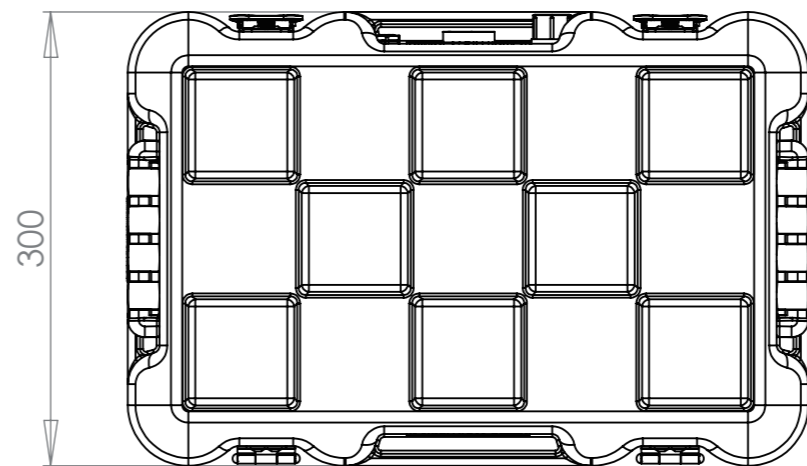
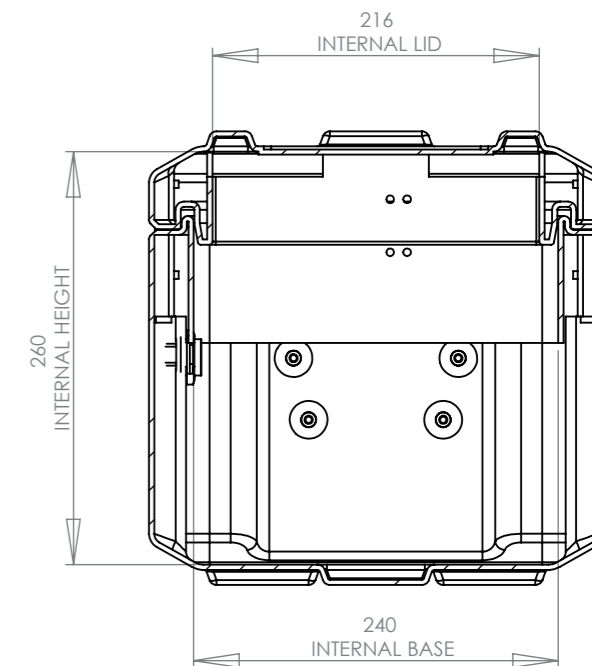
PRV Option
Gore Membrane Vent

PRV Option
AGM Breather Valve

PRV Option
Humidity Indicator



SECTION Z-Z



Options Available	Option Selected	Qty	Part #	Nato Stock No (NSN)
Wheel Kit	N	00	AAW001	8145-99-253-0976
AGM Breather Valve	Y	01	AAPRV	Moulding Tolerance +/- (1%+1mm)
Gore Membrane Vent	Y	01	AAGTV	External Dimensions (mm)
Humidity Indicator	Y	01	AAHI	Length Width Height
Tie Down Anchor	N	00	AATD001	450 300 300
Padlockable Latch	N	00	AALPLBK	Internal Dimensions (mm)
Latch	Y	02	AALBK	Length Width Height
Plastic Handles	Y	02	AAHPL	390 240 260

Title			Drg. No.	
Amazon Case AC4530-2307			AC4530-2307	
Drawn By	Date	Sheet No.	Issue No.	
MW	18/06/2010	1 Of 1	1	
Dimensions In Millimeters		Third Angle Projection		
Do Not Scale				

CP Cases Ltd.

Copyright CP Cases Limited.
This drawing is the property of CP Cases Limited & the information on it is confidential & it is not to be used for any other purpose without the prior written consent of CP Cases Limited.