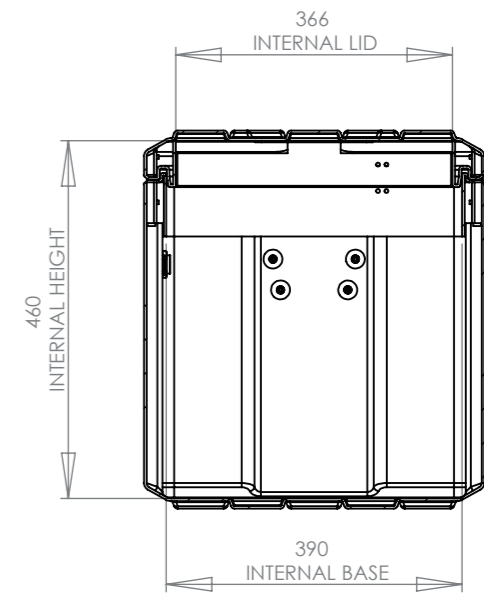
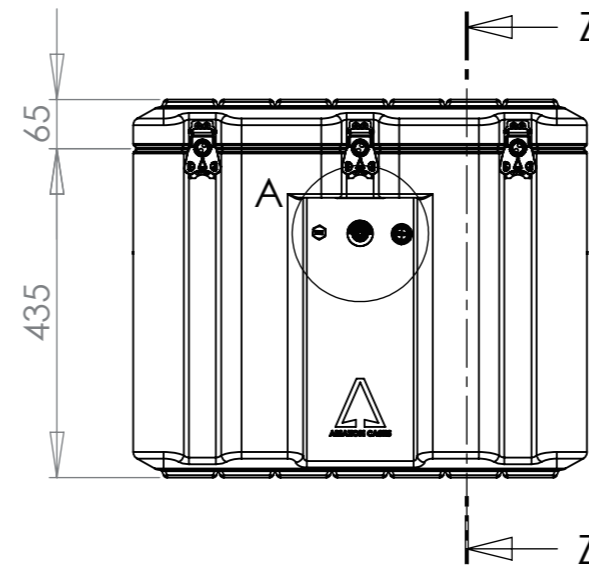
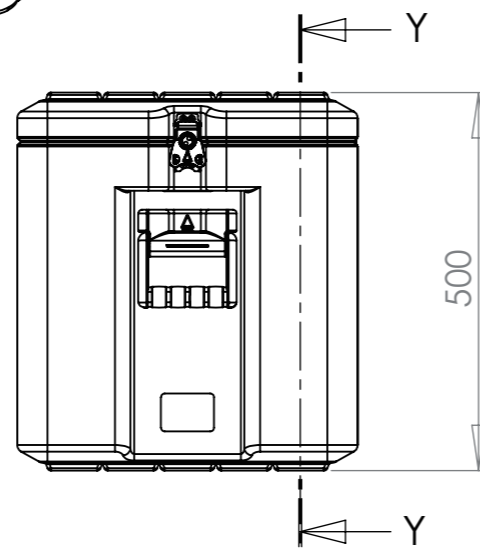
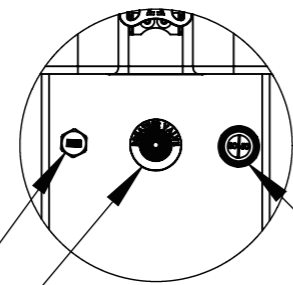


SECTION Y-Y



SECTION Z-Z

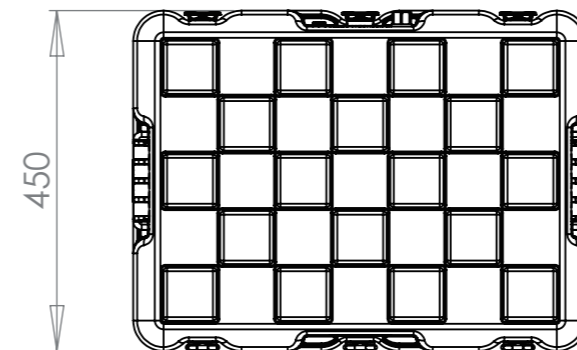
DETAIL A  
SCALE 1 : 5



PRV Option  
Gore Membrane Vent

PRV Option  
AGM Breather Valve

PRV Option  
Humidity Indicator



Options Available	Option Selected	Qty	Part #	Nato Stock No (NSN)		
Wheel Kit	N	00	AAW001	8145-99-887-2317		
AGM Breather Valve	Y	01	AAPRV	Moulding Tolerance +/- (1%+1mm)		
Gore Membrane Vent	Y	01	AAGTV	External Dimensions (mm)		
Humidity Indicator	Y	01	AAHI	Length	Width	Height
Tie Down Anchor	N	00	AATD001	600	450	500
Padlockable Latch	N	00	AALPLBK	Internal Dimensions (mm)		
Latch	Y	05	AALBK	Length	Width	Height
Plastic Handles	Y	02	AAHPL	540	390	460

Title			Drg. No.	
Amazon Case AC6045-4307			AC6045-4307	
Drawn By	Date	Sheet No.	Issue No.	
MW	30/04/2010	1 Of 1	1	
Dimensions In Millimeters		Third Angle Projection		
Do Not Scale				

**CP Cases Ltd.**

Copyright CP Cases Limited.  
This drawing is the property of CP Cases Limited & the information on it is confidential & it is not to be used for any other purpose without the prior written consent of CP Cases Limited.