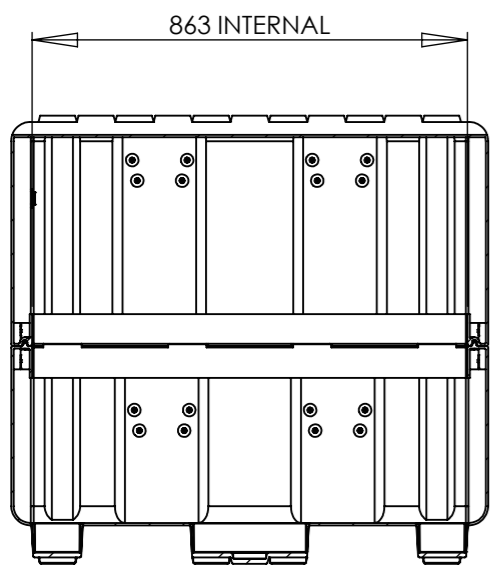
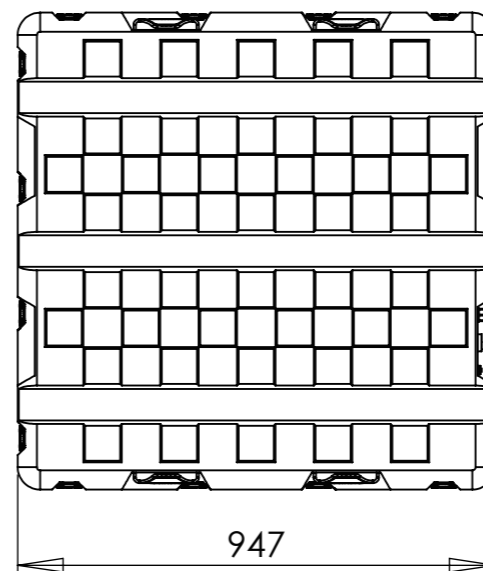
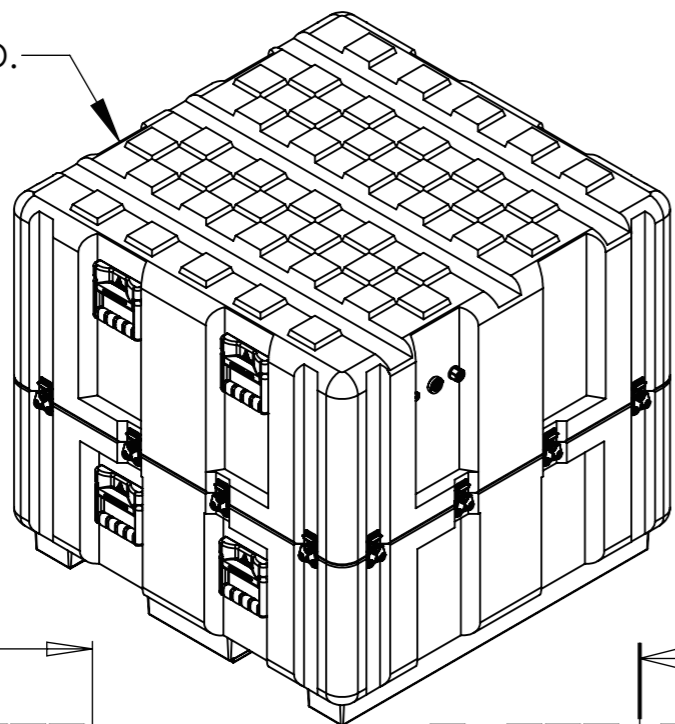
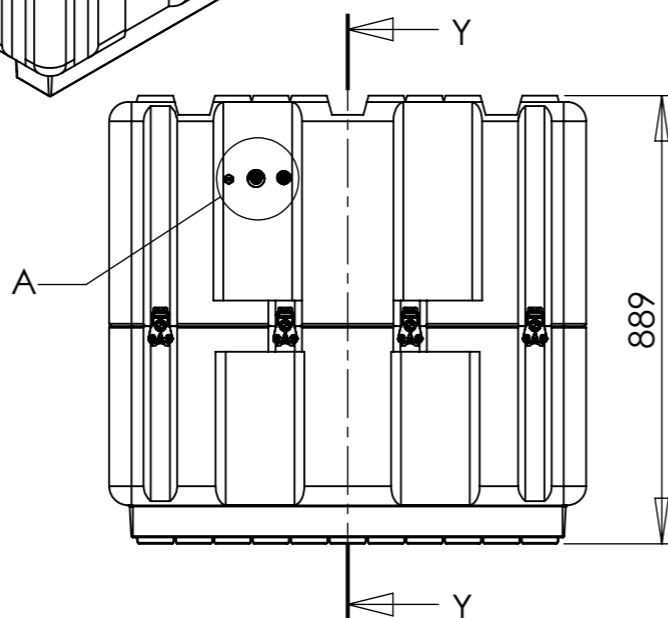


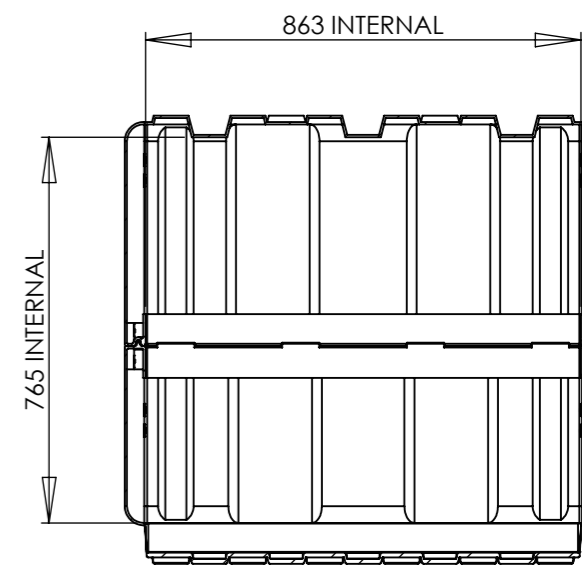
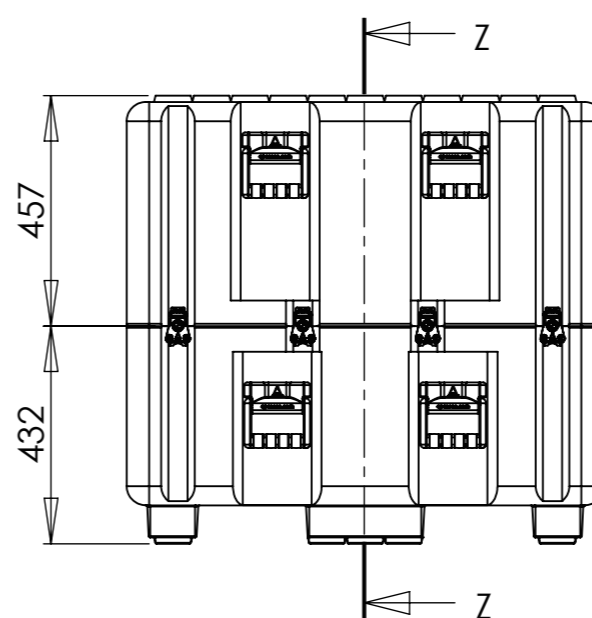
NOTE:  
ALL CATCH LIFT OFF LID.



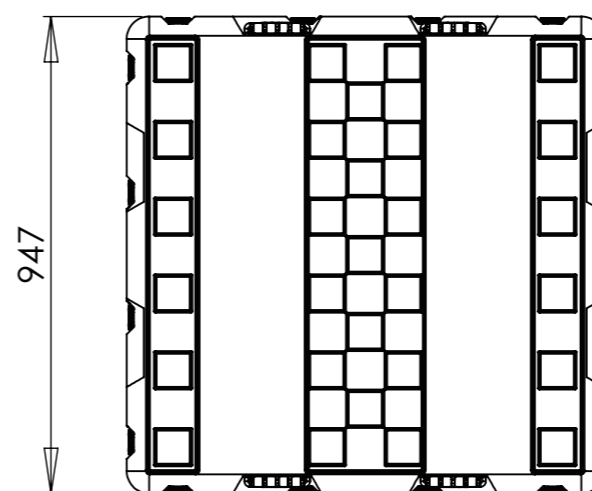
SECTION Y-Y  
SCALE 1 : 15



DETAIL A  
SCALE 1 : 5



SECTION Z-Z  
SCALE 1 : 15



PRV Option Gore Membrane Vent  
PRV Option AGM Breather Valve  
PRV Option Humidity Indicator

Options Available	Option Selected	Qty	Part #	Nato Stock No (NSN)		
Wheel Kit	N	00	AAW001	N/A		
AGM Breather Valve	Y	01	AAPRV	Moulding Tolerance +/- (1%+1mm)		
Gore Membrane Vent	Y	01	AAGTV	External Dimensions (mm)		
Humidity Indicator	Y	01	AAHI	Length	Width	Height
Tie Down Anchor	N	00	AATD001	947	947	889
Padlockable Latch	N	00	AALPLBK	Internal Dimensions (mm)		
Latch	Y	16	AALBK	Length	Width	Height
Plastic Handles	Y	08	AAHPL	863	863	765

Title		Drg. No.	
Titan Case AC9595-4346/AC/FL		AC9595-4346/AC/FL	
Drawn By	Date	Sheet No.	Issue No.
MW	12/08/2010	1 Of 1	01
Dimensions In Millimeters		Third Angle Projection	
Do Not Scale			

**CP Cases Ltd.**